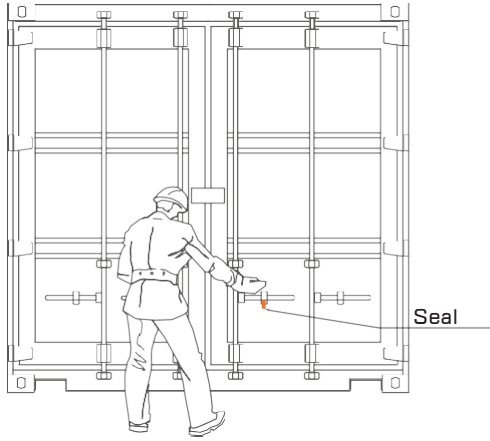
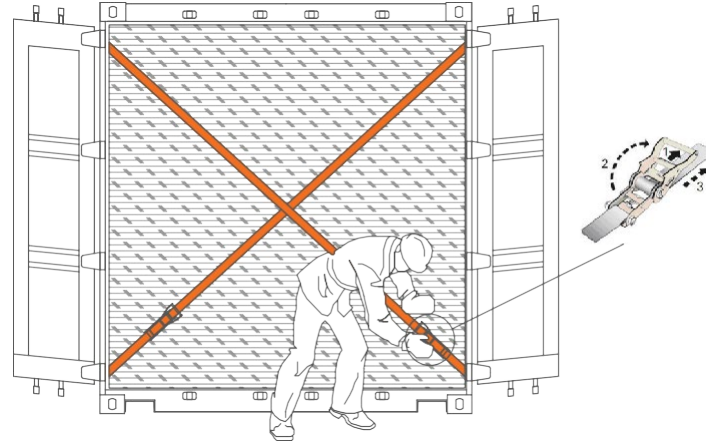


GUIDE FOR UNLOADING SANDWICH PANELS PACKS FROM THE SHIPPING CONTAINER

1. REMOVE THE SEAL, OPEN THE CONTAINER

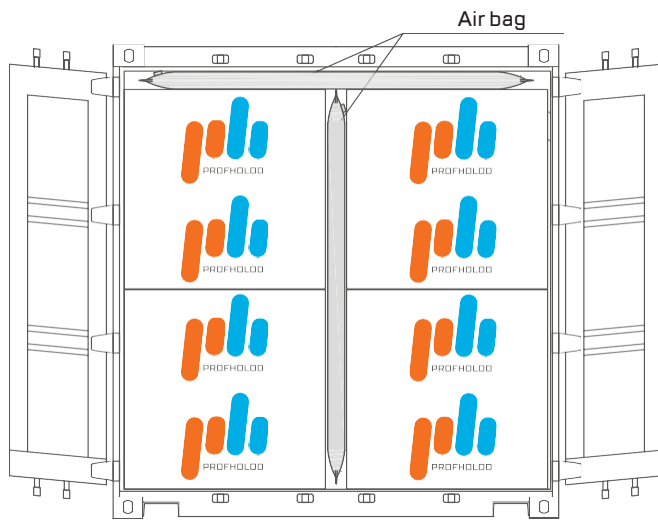


2. REMOVE THE RATCHET STRAPS

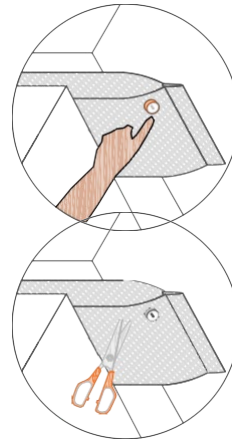


Loosen the straps using the ratchet.
At the same time remove the protective material.

3. REMOVE THE PACKING AIR BAGS



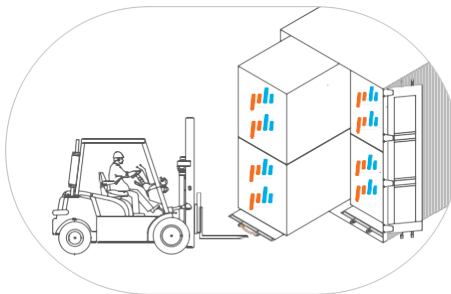
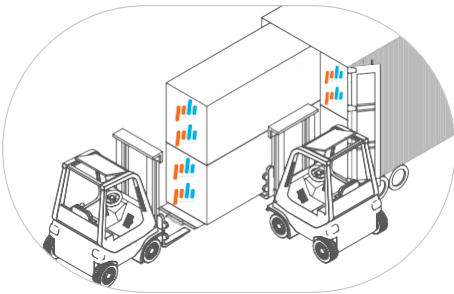
HOW TO REMOVE AIR BAGS



Option 1. Deflate the bag by pressing the valve, fix it in the open position.
Remove the bag from the container.

Option 2. Prick or cut a hole in the bag. Remove the bag from the container.

4. PULL OUT THE PACKS WITH SANDWICH PANELS



The packs stand on the metal sheets.
Use lifting equipment to pull the packs of sandwich panels out of the container by the special fasteners on the metal sheets.

Pull out one sheet at a time, with safety precautions.

Packs of sandwich panels must be unloaded from the truck with two forklifts.
If the container is placed on the ground, you can unload with only one lift truck.