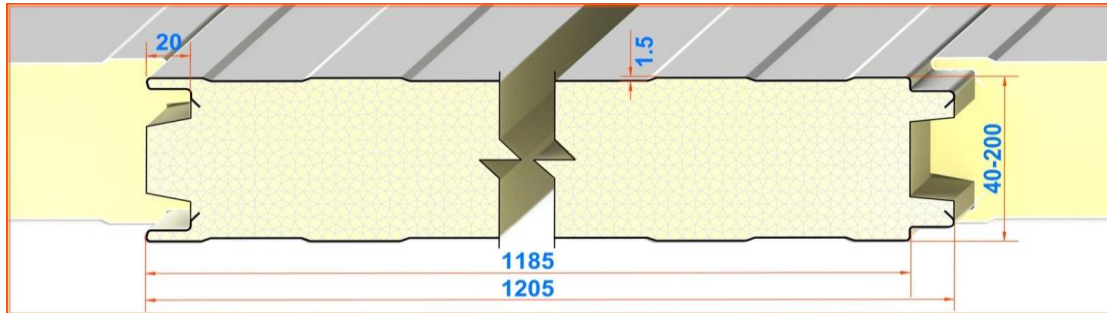


ProfHoloD Fireproof Polyisocyanurate PIR Premier and polyurethane foam PUR Classic insulated panels

Retail Price List in US Dollars, VAT not included

WALL PANELS



Polyurethane foam (PUR Classic)

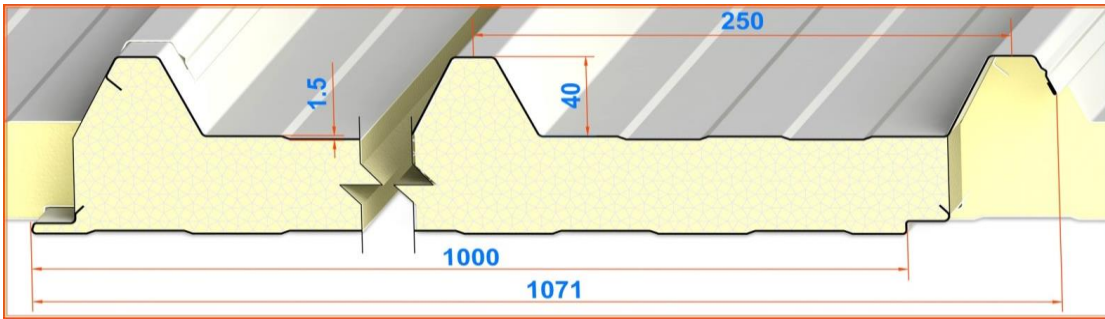
Exterior coating		Panels' thickness, mm / Type of stud-spline joint										
		1x-spline				2x-spline						
Side A	Side B	40	50	60	80	100	120	140	150	160	180	200
Fire resistance class		EI 15										
Ral	Ral	15,29	16,23	17,17	19,07	20,99	22,81	24,94	26,00	27,72	29,44	31,16
	Zn	14,97	15,91	16,85	18,75	20,67	22,49	24,62	25,68	27,40	29,12	30,84
	Aisi 304	29,55	30,49	31,43	33,33	35,26	37,07	39,20	40,27	41,99	43,71	45,43
	Aisi 430	24,37	25,31	26,25	28,15	30,07	31,89	34,02	35,09	36,81	38,53	40,25
	PVDF	17,53	18,47	19,41	21,31	23,24	25,05	27,18	28,25	29,97	31,69	33,41
	Pural Farm	21,22	22,16	23,10	25,00	26,92	28,74	30,87	31,93	33,65	35,37	37,09
	Granite Farm	21,43	22,37	23,31	25,21	27,14	28,95	31,08	32,15	33,87	35,59	37,31
	Food Safe	23,78	24,72	25,66	27,56	29,49	31,30	33,43	34,50	36,22	37,94	39,66
Zn	Ral	14,97	15,91	16,85	18,75	20,67	22,49	24,62	25,68	27,40	29,12	30,84
	Zn	14,65	15,59	16,53	18,43	20,35	22,17	24,29	25,36	27,08	28,80	30,52
	Aisi 304	29,23	30,17	31,11	33,01	34,94	36,75	38,88	39,95	41,67	43,39	45,11
	Aisi 430	24,05	24,99	25,93	27,83	29,75	31,57	33,70	34,76	36,49	38,21	39,93
	PVDF	17,21	18,15	19,09	20,99	22,92	24,73	26,86	27,93	29,65	31,37	33,09
	Pural Farm	20,90	21,84	22,78	24,68	26,60	28,42	30,54	31,61	33,33	35,05	36,77
	Granite Farm	21,11	22,05	22,99	24,89	26,82	28,63	30,76	31,83	33,55	35,27	36,99
	Food Safe	23,46	24,40	25,34	27,24	29,17	30,98	33,11	34,18	35,90	37,62	39,34
Aisi 304	Ral	29,55	30,49	31,43	33,33	35,26	37,07	39,20	40,27	41,99	43,71	45,43
	Zn	29,23	30,17	31,11	33,01	34,94	36,75	38,88	39,95	41,67	43,39	45,11
	Aisi 304	43,81	44,75	45,69	47,60	49,52	51,34	53,46	54,53	56,25	57,97	59,69
	Aisi 430	38,63	39,57	40,51	42,41	44,34	46,15	48,28	49,35	51,07	52,79	54,51
	PVDF	31,79	32,74	33,68	35,58	37,50	39,32	41,44	42,51	44,23	45,95	47,67
	Pural Farm	35,48	36,42	37,36	39,26	41,19	43,00	45,13	46,20	47,92	49,64	51,36
	Granite Farm	35,69	36,63	37,57	39,48	41,40	43,22	45,34	46,41	48,13	49,85	51,57
	Food Safe	38,04	38,99	39,93	41,83	43,75	45,57	47,69	48,76	50,48	52,20	53,92
Aisi 430	Ral	24,37	25,31	26,25	28,15	30,07	31,89	34,02	35,09	36,81	38,53	40,25
	Zn	24,05	24,99	25,93	27,83	29,75	31,57	33,70	34,76	36,49	38,21	39,93
	Aisi 304	38,63	39,57	40,51	42,41	44,34	46,15	48,28	49,35	51,07	52,79	54,51
	Aisi 430	33,45	34,39	35,33	37,23	39,16	40,97	43,10	44,17	45,89	47,61	49,33
	PVDF	26,61	27,55	28,49	30,40	32,32	34,13	36,26	37,33	39,05	40,77	42,49
	Pural Farm	30,30	31,24	32,18	34,08	36,00	37,82	39,95	41,01	42,74	44,46	46,18
	Granite Farm	30,51	31,45	32,39	34,29	36,22	38,03	40,16	41,23	42,95	44,67	46,39
	Food Safe	32,86	33,80	34,74	36,65	38,57	40,38	42,51	43,58	45,30	47,02	48,74
PVDF	Ral	17,53	18,47	19,41	21,31	23,24	25,05	27,18	28,25	29,97	31,69	33,41
	Zn	17,21	18,15	19,09	20,99	22,92	24,73	26,86	27,93	29,65	31,37	33,09
	Aisi 304	31,79	32,74	33,68	35,58	37,50	39,32	41,44	42,51	44,23	45,95	47,67
	Aisi 430	26,61	27,55	28,49	30,40	32,32	34,13	36,26	37,33	39,05	40,77	42,49
	PVDF	19,78	20,72	21,66	23,56	25,48	27,30	29,42	30,49	32,21	33,93	35,65
	Pural Farm	23,46	24,40	25,34	27,24	29,17	30,98	33,11	34,18	35,90	37,62	39,34
	Granite Farm	23,68	24,62	25,56	27,46	29,38	31,20	33,32	34,39	36,11	37,83	39,55
	Food Safe	26,03	26,97	27,91	29,81	31,73	33,55	35,67	36,74	38,46	40,18	41,90

PuralFarm	Ral	21,22	22,16	23,10	25,00	26,92	28,74	30,87	31,93	33,65	35,37	37,09
	Zn	20,90	21,84	22,78	24,68	26,60	28,42	30,54	31,61	33,33	35,05	36,77
	Aisi 304	35,48	36,42	37,36	39,26	41,19	43,00	45,13	46,20	47,92	49,64	51,36
	Aisi 430	30,30	31,24	32,18	34,08	36,00	37,82	39,95	41,01	42,74	44,46	46,18
	PVDF	23,46	24,40	25,34	27,24	29,17	30,98	33,11	34,18	35,90	37,62	39,34
	Pural Farm	27,15	28,09	29,03	30,93	32,85	34,67	36,79	37,86	39,58	41,30	43,02
	Granite Farm	27,36	28,30	29,24	31,14	33,07	34,88	37,01	38,08	39,80	41,52	43,24
	Food Safe	29,71	30,65	31,59	33,49	35,42	37,23	39,36	40,43	42,15	43,87	45,59
Granite Farm	Granite Farm	27,57	28,51	29,46	31,36	33,28	35,10	37,22	38,29	40,01	41,73	43,45
Food Safe	Food Safe	32,28	33,22	34,16	36,06	37,98	39,80	41,92	42,99	44,71	46,43	48,15
Paper	Paper	6,13	7,44	8,73	11,32	13,93	16,53	19,09	20,44	21,76	24,33	26,96
Vinyl tape	Vinyl tape	6,63	7,93	9,23	11,83	14,42	17,03	19,59	20,94	22,26	24,83	27,46
Foil	Foil	7,53	8,84	10,14	12,74	15,33	17,94	20,50	21,84	23,16	25,73	28,35

Polysocyanurate (PIR Premier)

Exterior coating		Panels' thickness, mm / Type of stud-spline joint								
		1x-spline			2x-spline				3x-spline	
Side A	Side B	40	50	60	80	100	120	150	200	
Fire resistance class		EI15			EI30				EI45	
Ral	Ral	15,36	16,31	17,25	19,16	21,10	22,93	26,13	31,31	
	Zn	15,04	15,99	16,93	18,84	20,78	22,61	25,81	30,99	
	Aisi 304	29,63	30,58	31,52	33,42	35,36	37,19	40,40	45,58	
	Aisi 430	24,44	25,40	26,34	28,24	30,18	32,01	35,21	40,40	
	PVDF	17,61	18,56	19,50	21,40	23,34	25,17	28,38	33,56	
	Pural Farm	21,29	22,24	23,18	25,09	27,03	28,86	32,06	37,24	
	Granite Farm	21,51	22,46	23,40	25,30	27,24	29,07	32,28	37,46	
	Food Safe	23,86	24,81	25,75	27,65	29,59	31,42	34,63	39,81	
Zn	Ral	15,04	15,99	16,93	18,84	20,78	22,61	25,81	30,99	
	Zn	14,72	15,67	16,61	18,51	20,46	22,29	25,49	30,67	
	Aisi 304	29,31	30,26	31,20	33,10	35,04	36,87	40,07	45,26	
	Aisi 430	24,12	25,07	26,01	27,92	29,86	31,69	34,89	40,07	
	PVDF	17,29	18,24	19,18	21,08	23,02	24,85	28,06	33,24	
	Pural Farm	20,97	21,92	22,86	24,76	26,71	28,54	31,74	36,92	
	Granite Farm	21,19	22,14	23,08	24,98	26,92	28,75	31,96	37,14	
	Food Safe	23,54	24,49	25,43	27,33	29,27	31,10	34,31	39,49	
Aisi 304	Ral	29,63	30,58	31,52	33,42	35,36	37,19	40,40	45,58	
	Zn	29,31	30,26	31,20	33,10	35,04	36,87	40,07	45,26	
	Aisi 304	43,89	44,84	45,78	47,68	49,63	51,45	54,66	59,84	
	Aisi 430	38,71	39,66	40,60	42,50	44,44	46,27	49,48	54,66	
	PVDF	31,87	32,82	33,76	35,66	37,61	39,43	42,64	47,82	
	Pural Farm	35,56	36,51	37,45	39,35	41,29	43,12	46,32	51,51	
	Granite Farm	35,77	36,72	37,66	39,56	41,51	43,33	46,54	51,72	
	Food Safe	38,12	39,07	40,01	41,91	43,86	45,68	48,89	54,07	
Aisi 430	Ral	24,44	25,40	26,34	28,24	30,18	32,01	35,21	40,40	
	Zn	24,12	25,07	26,01	27,92	29,86	31,69	34,89	40,07	
	Aisi 304	38,71	39,66	40,60	42,50	44,44	46,27	49,48	54,66	
	Aisi 430	33,53	34,48	35,42	37,32	39,26	41,09	44,29	49,48	
	PVDF	26,69	27,64	28,58	30,48	32,43	34,25	37,46	42,64	
	Pural Farm	30,37	31,32	32,26	34,17	36,11	37,94	41,14	46,32	
	Granite Farm	30,59	31,54	32,48	34,38	36,32	38,15	41,36	46,54	
	Food Safe	32,94	33,89	34,83	36,73	38,68	40,50	43,71	48,89	
PVDF	Ral	17,61	18,56	19,50	21,40	23,34	25,17	28,38	33,56	
	Zn	17,29	18,24	19,18	21,08	23,02	24,85	28,06	33,24	
	Aisi 304	31,87	32,82	33,76	35,66	37,61	39,43	42,64	47,82	
	Aisi 430	26,69	27,64	28,58	30,48	32,43	34,25	37,46	42,64	
	PVDF	19,85	20,80	21,74	23,64	25,59	27,41	30,62	35,80	
	Pural Farm	23,54	24,49	25,43	27,33	29,27	31,10	34,31	39,49	
	Granite Farm	23,75	24,70	25,64	27,54	29,49	31,31	34,52	39,70	
	Food Safe	26,10	27,05	27,99	29,89	31,84	33,66	36,87	42,05	
PuralFarm	Ral	21,29	22,24	23,18	25,09	27,03	28,86	32,06	37,24	
	Zn	20,97	21,92	22,86	24,76	26,71	28,54	31,74	36,92	
	Aisi 304	35,56	36,51	37,45	39,35	41,29	43,12	46,32	51,51	
	Aisi 430	30,37	31,32	32,26	34,17	36,11	37,94	41,14	46,32	
	PVDF	23,54	24,49	25,43	27,33	29,27	31,10	34,31	39,49	
	Pural Farm	27,22	28,17	29,11	31,01	32,96	34,79	37,99	43,17	
	Granite Farm	27,44	28,39	29,33	31,23	33,17	35,00	38,21	43,39	
	Food Safe	29,79	30,74	31,68	33,58	35,52	37,35	40,56	45,74	
Granite Farm	Granite Farm	27,65	28,60	29,54	31,44	33,39	35,21	38,42	43,60	
Food Safe	Food Safe	32,35	33,30	34,24	36,14	38,09	39,91	43,12	48,30	
Paper	Paper	5,97	7,35	8,73	11,46	14,22	16,97	21,09	27,99	
Vinyl tape	Vinyl tape	6,40	7,78	9,16	11,89	14,65	17,39	21,52	28,42	
Foil	Foil	7,47	8,85	10,22	12,96	15,72	18,46	22,59	29,49	

ROOF PANELS



Polyisocyanurate (PIR Premier)

Exterior coating		Panels' thickness (without rib height), mm							
Side A	Side B	30	40	50	60	80	100	120	150
Fire resistance class		RE15			RE30			RE45	
Ral	Ral	15,99	16,94	16,81	18,96	20,65	22,47	24,32	27,21
	Zn	15,62	16,57	16,43	18,59	20,28	22,09	23,94	26,84
	Aisi 304	32,66	33,61	33,46	35,62	37,32	39,13	40,98	43,88
	Aisi 430	26,60	27,55	27,41	29,57	31,26	33,08	34,93	37,82
	PVDF	18,62	19,56	19,42	21,58	23,28	25,09	26,94	29,84
	Pural Farm	22,93	23,87	23,73	25,89	27,59	29,40	31,25	34,15
	Granite Farm	23,17	24,12	23,97	26,13	27,83	29,65	31,50	34,39
	Food Safe	25,92	26,87	26,72	28,88	30,58	32,39	34,24	37,14
Zn	Ral	15,62	16,57	16,43	18,59	20,28	22,09	23,94	26,84
	Zn	15,25	16,20	16,06	18,22	19,90	21,72	23,57	26,46
	Aisi 304	32,29	33,24	33,09	35,25	36,94	38,76	40,61	43,50
	Aisi 430	26,23	27,18	27,04	29,20	30,89	32,70	34,55	37,45
	PVDF	18,25	19,19	19,05	21,21	22,91	24,71	26,57	29,47
	Pural Farm	22,55	23,49	23,35	25,51	27,21	29,02	30,88	33,77
	Granite Farm	22,80	23,75	23,60	25,76	27,46	29,27	31,12	34,02
	Food Safe	25,54	26,50	26,35	28,50	30,20	32,02	33,87	36,76
Aisi 304	Ral	32,66	33,61	33,46	35,62	37,32	39,13	40,98	43,88
	Zn	32,29	33,24	33,09	35,25	36,94	38,76	40,61	43,50
	Aisi 304	49,33	50,27	50,13	52,29	53,97	55,79	57,65	60,54
	Aisi 430	43,27	44,22	44,07	46,23	47,93	49,74	51,59	54,49
	PVDF	35,28	36,23	36,09	38,25	39,94	41,75	43,60	46,50
	Pural Farm	39,58	40,53	40,40	42,55	44,24	46,06	47,91	50,80
	Granite Farm	39,84	40,78	40,64	42,80	44,50	46,30	48,16	51,06
	Food Safe	42,59	43,53	43,39	45,54	47,24	49,05	50,91	53,80
Aisi 430	Ral	26,60	27,55	27,41	29,57	31,26	33,08	34,93	37,82
	Zn	26,23	27,18	27,04	29,20	30,89	32,70	34,55	37,45
	Aisi 304	43,27	44,22	44,07	46,23	47,93	49,74	51,59	54,49
	Aisi 430	37,21	38,16	38,02	40,18	41,87	43,69	45,53	48,43
	PVDF	29,23	30,17	30,03	32,19	33,89	35,69	37,55	40,45
	Pural Farm	33,54	34,48	34,34	36,50	38,19	40,01	41,86	44,75
	Granite Farm	33,78	34,73	34,58	36,74	38,44	40,26	42,10	45,00
	Food Safe	36,53	37,48	37,33	39,49	41,19	43,00	44,85	47,75
PVDF	Ral	18,62	19,56	19,42	21,58	23,28	25,09	26,94	29,84
	Zn	18,25	19,19	19,05	21,21	22,91	24,71	26,57	29,47
	Aisi 304	35,28	36,23	36,09	38,25	39,94	41,75	43,60	46,50
	Aisi 430	29,23	30,17	30,03	32,19	33,89	35,69	37,55	40,45
	PVDF	21,24	22,19	22,04	24,20	25,90	27,71	29,56	32,46
	Pural Farm	25,54	26,50	26,35	28,50	30,20	32,02	33,87	36,76
	Granite Farm	25,80	26,74	26,60	28,76	30,45	32,26	34,12	37,01
	Food Safe	28,55	29,49	29,35	31,51	33,19	35,01	36,87	39,75
PuralFarm	Ral	22,93	23,87	23,73	25,89	27,59	29,40	31,25	34,15
	Zn	22,55	23,49	23,35	25,51	27,21	29,02	30,88	33,77
	Aisi 304	39,58	40,53	40,40	42,55	44,24	46,06	47,91	50,80
	Aisi 430	33,54	34,48	34,34	36,50	38,19	40,01	41,86	44,75
	PVDF	25,54	26,50	26,35	28,50	30,20	32,02	33,87	36,76
	Pural Farm	29,85	30,80	30,65	32,81	34,51	36,32	38,17	41,07
	Granite Farm	30,11	31,05	30,91	33,07	34,75	36,57	38,43	41,31
	Food Safe	32,85	33,79	33,65	35,81	37,50	39,32	41,18	44,06
Granite Farm	Granite Farm	30,35	31,29	31,15	33,31	35,01	36,83	38,68	41,57
Food Safe	Food Safe	35,84	36,78	36,65	38,80	40,50	42,32	44,17	47,06

ProfHolod manufactures insulated panels at SAIP (Italy) and two continuous Pu.Ma (Italy) production lines in Russia.



- **Maximum panel length:** 16 meters.
- **Panels' core:** rigid polyurethane foam.
PIR Premier — customized system created from carefully selected components of leading manufacturers in the ProfHolod's Research and Development Center. PIR Premier sandwich panels comply with the European standard EN 14509.
PUR Classic — standard PU system by major chemical corporations.
Core thermal conductivity coefficient $k = 0.022 \text{ W/(m}\cdot\text{K)}$
- **Polyurethane foam density:** up to 50 kg/m³
- **Panels' skin:**
 - high-quality metal of leading Russian and world suppliers: NLMK, MMK, Severstal, Arcelor, Ruukki, Lampre, etc.
 - wide range of colors for panel skins by RAL chart
 - various polymer coatings: Polyester, Pural, PVDF, Granite Farm, Food Safe Laminate etc.
 - * Granite Farm: corrosion resistant coating for agricultural facilities. Resistance against farm chemical agents, used in aggressive and medium aggressive environment. Coating thickness: 35 μm.
 - * Food Safe Laminate: special coating for food products storage and processing facilities: meat and fish processing plants, dairy farming, etc. Coating thickness: 110 μm.
 - exterior profiling: flat or with ribs
 - for secure transportation panels are wrapped in a protection plastic film
- ProfHolod PIR Premier insulated panels are certified with K1 fire resistance class (low hazard) according to Russian National Standard GOST 30403-96 and according to Russian Federal Law №123-FZ Technical regulation on fire safety requirements.



Agrohim territory, bld. 58,
Shchelkovo, Moscow region,
Russia, 141101



+7 (925) 745-01-37

www.profhod.com